

Product description

Mobile 3-Deck Screener RTS615



Features and benefits

Optimum flexibility and mobility with the highest possible performance

Low cost solution that offers superior screening results

Heavy duty steel apron feeder as standard

Robust design with low machine weight

Up to 25 % greater fuel efficiency

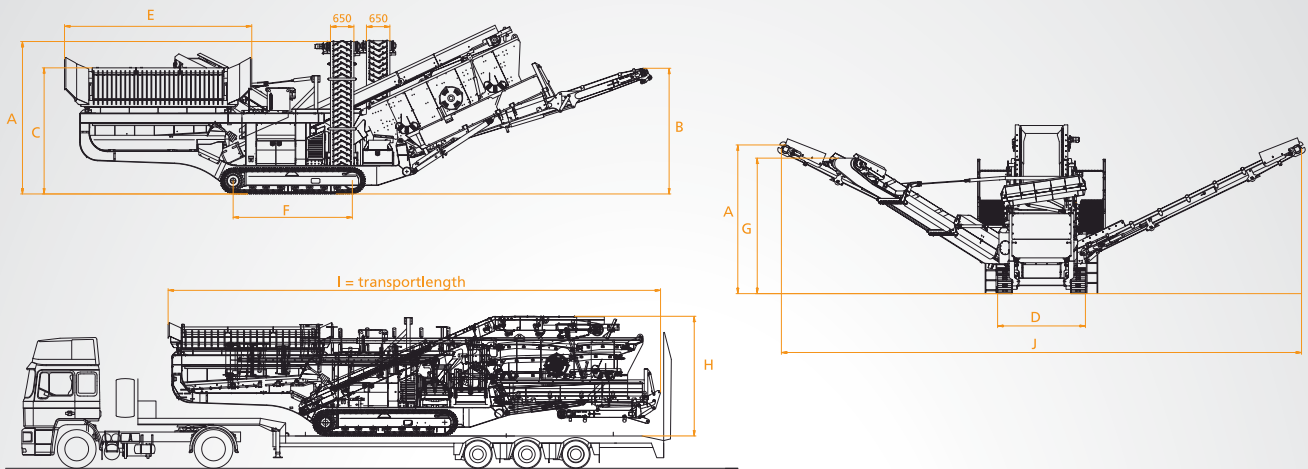
Compact transport dimensions

Low feeding height

Quick set-up time

www.rockster.at

Measures & technical specifications



Working measures

A	4.680 mm	15' 4"	F	3.720 mm	12' 2"
B	3.250 mm	10' 8"	G	3760 mm	12' 4"
C	3.450 mm	11' 4"	H	3.100 mm	10' 2"
D	2.500 mm	9' 10"	I	14.300 mm	46' 11"
E	4.570 mm	15' 0"	J	17.135 mm	56' 2"

Transport measures

Height	3.100 mm	10' 2"
Width	2.500 mm	8' 3"
Length	14.300 mm	46' 11"
Weight	28 tons	61700 lbs

Feedhopper

Volume: 7,7 m³ 9,62 yd³
All three hopperwalls are foldable

Screenbox

Length 4500 mm 13' 9"
Width 1800 mm 4' 11"
TopDeck: specified by customer
MiddleDeck: specified by customer
BottomDeck: specified by customer

Conveyor belt under screenbox

Length: 6750 mm 22' 2"
Width: 1200 mm 48"

Main Conveyor belt

Length: 9500 mm 31' 2"
Width: 1200 mm 48"

Side conveyor left (fines)

Length: 10000 mm 32' 2"
Width: 800 mm 32"

Side conveyor right (mid fines)

Length: 10000 mm 32' 2"
Width: 800 mm 32"

Side conveyor right (oversize material)

Length: 8500 mm 27' 11"
Width: 800 mm 32"

Trackdrive

Length: 3750 mm 12' 4"
Width: 450 mm 18"

Power unit

DeutzDiesel engine, 91 kW 125 hp