

Product description

Mobile 3-Deck Screener RTS512



Features and benefits

Optimum flexibility and mobility with the highest possible performance

Low cost solution that offers superior screening results

Heavy duty steel apron feeder as standard

Robust design with low machine weight

Up to 25 % greater fuel efficiency

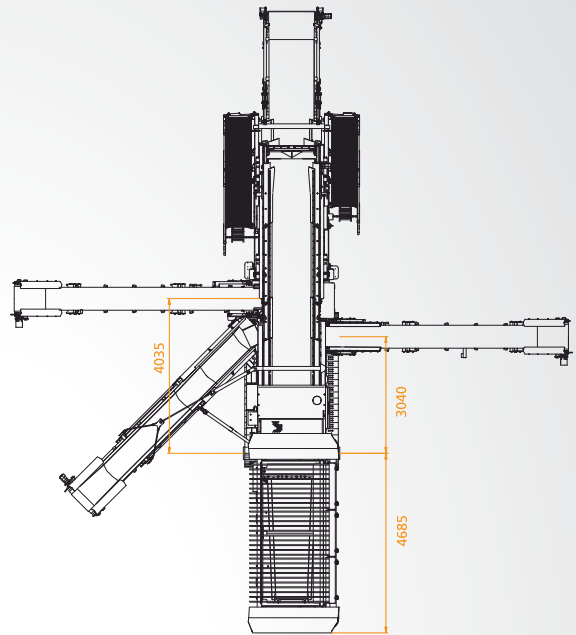
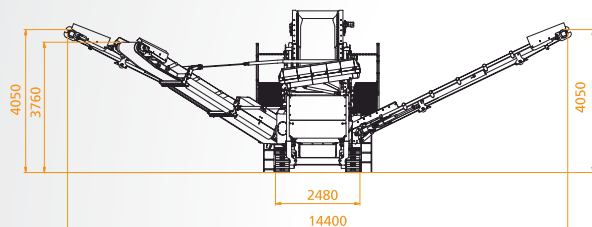
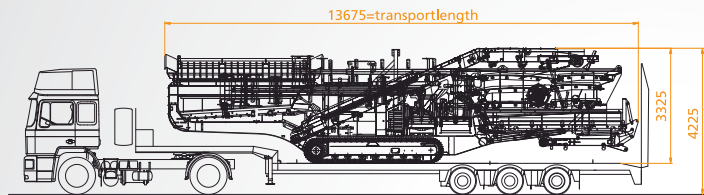
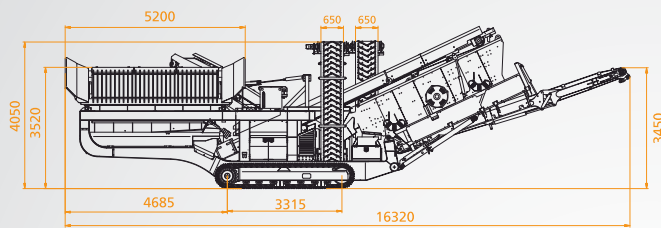
Compact transport dimensions

Low feeding height

Quick set-up time

www.rockster.at

Measures & technical specifications



Transport measures

Height	3.250 mm	10' 2"	Width	3.000 mm	8' 3"	Length	13.673mm	46' 11"
Weight	28 tons 61700 lbs							

Feedhopper

Volume: 7,7 m³ 9,62 yd³
All three hopperwalls are foldable

Belt Feeder

Length 3500 mm 13' 9"
Width 1200 mm 4' 11"

Screenbox

Length 3600 mm 12' 0"
Width 1500 mm 5' 0"

TopDeck: specified by customer

MiddleDeck: specified by customer

BottomDeck: specified by customer

Conveyor belt under screenbox

Length: 6750 mm 22' 2"
Width: 1200 mm 48"

Main Conveyor belt

Width: 1200 mm 48"

Side conveyor left (fines)

Length: 8500 mm 27' 11"
Width: 650 mm 26"

Side conveyor right (mid fines)

Length: 8500 mm 27' 11"
Width: 650 mm 26"

Side conveyor right (oversize material)

Length: 6875 mm 22' 6"
Width: 800 mm 31"

Trackdrive

Length: 3300 mm 11' 0"
Width: 400 mm 16"

Power unit

DeutzDiesel engine, 72 kW 100 hp