

Product description

Mobile Scalping screener RSS49



Features and benefits

The perfect scalping screen for smaller jobsites

Compact measures and fully mobile but with the highest possible performance

Low cost solution that offers superior screening results

Heavy duty steel apron feeder as standard

Robust design with low machine weight

Up to 25 % greater fuel efficiency

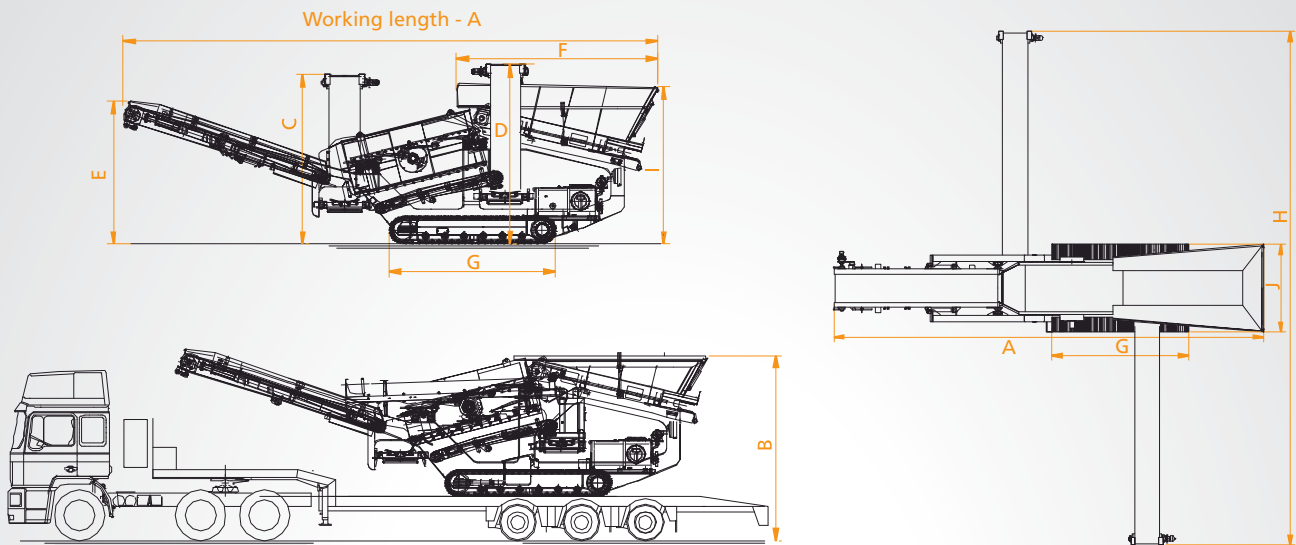
Compact transport dimensions

Low feeding height

Quick set-up time

www.rockster.at

Measures & technical specifications



Working measures

A	11.400 mm	37' 5"	F	4.300 mm	14' 1"
B	4.000 mm	13' 1"	G	3.550 mm	11' 7"
C	3.600 mm	11' 9"	H	13.350 mm	43' 7"
D	3.750 mm	12' 3"	I	3.350 mm	11' 0"
E	3.000 mm	9' 10"	J	2.300 mm	7' 7"

Transport measures

Height	3.100 mm	10' 2"
Width	2.500 mm	8' 3"
Length	9.300 mm	30' 6"
Weight	17 tons	37400 lbs

Feedhopper

Volume: 6 m³ 7,84 yd³
All three hopperwalls are foldable

Screenbox

Length: 2700 mm 9' 0"
Width: 1200 mm 4' 0"

Conveyor belt under screenbox

Length: 3000 mm 10'
Width: 800 mm 32"

Oversize belt

Length: 4500 mm 15'
Width: 1000 mm 40"

Side conveyor left (fines)

Length: 8000 mm 26'3"
Width: 650 mm 26"

Side conveyor right (mid fines)

Length: 8000 mm 26'3"
Width: 650 mm 26"

Trackdrive

Length: 3550 mm 11'7"
Width: 400 mm 16"

Power unit

DeutzDiesel engine, 53,7 kW 73 hp