

Product description

Mobile 2-Deck Screener RDS512

RDS512



Features and benefits

Optimum flexibility and mobility with the highest possible performance

Low cost solution that offers superior screening results

Heavy duty steel apron feeder as standard

Robust design with low machine weight

Up to 25 % greater fuel efficiency

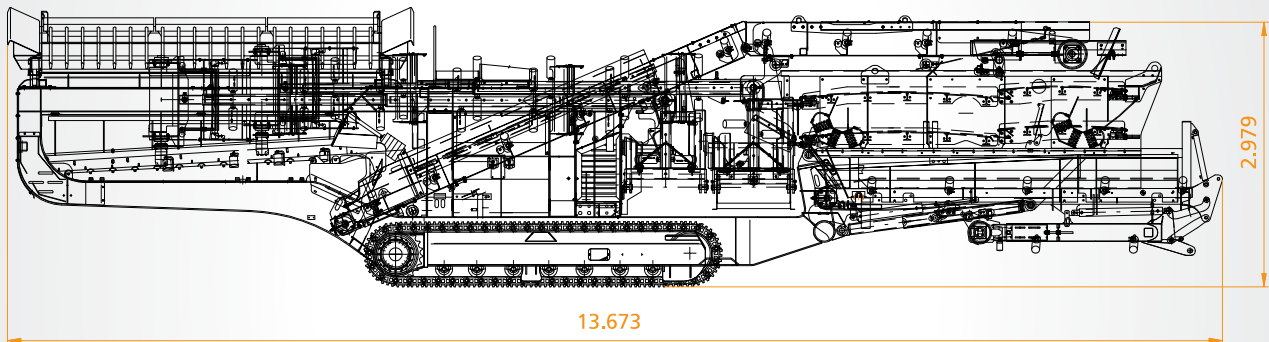
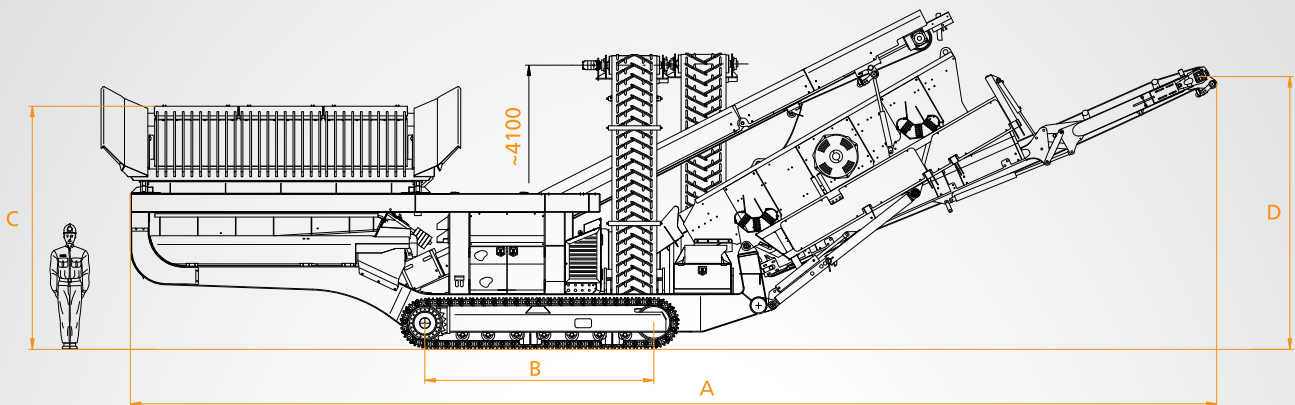
Compact transport dimensions

Low feeding height

Quick set-up time

www.rockster.at

Measures & technical specifications



Working measures

A	15.710
B	3.310
C	3.520
D	3.940

Transport measures

Height	3.150 mm	10' 2"	Width	2.550 mm	8' 3"
Weight	24 tons	61700 lbs	Length	13.673 mm	46' 11"

Feedhopper

Volume:	7,7 m ³	9,62 yd ³
All three hopperwalls are foldable		

Screenbox

Length	3600 mm	12' 0"
Width	1500 mm	5' 0"

Conveyor belt under screenbox

Length:	6750 mm	22' 2"
Width:	1200 mm	48"

Main Conveyor belt

Width:	1200 mm	48"
--------	---------	-----

Side conveyor left (fines)

Length:	8500 mm	27' 11"
Width:	650 mm	26"

Side conveyor right (mid fines)

Length:	8500 mm	27' 11"
Width:	650 mm	26"

Trackdrive

Length:	3300 mm	11' 0"
Width:	400 mm	16"

Power unit

DeutzDiesel engine,	72 kW	100 hp
---------------------	-------	--------